


ROTO SEPTIC TANKS ADVANTAGES

- Fast and simple installation**
- Long life service
- Covers with hinge**
- Telescopic adjustable cover
- Possibility of different inflow pipes**
- Slovenian product
- Covers with hinge**

TECHNICAL DATA RoSeptic 2200 L

Technical data	Values
Total volume	2200 L
Dimensions L x D x H [mm]	1840 x 1400 x 1600 - 1930
Installation	Underground installation
Diameter of revision openings	1 x Φ 600 mm
Material	Polyethylene [PE]
UV material stability	Yes
Inflow pipe diameter	DN 110
Outflow pipe diameter	/
Standard	SIST EN 12566 - 1
Cover	PE walk-on cover

PRODUCT DESCRIPTION

With RoSeptic tanks, we collect fecal waste water from the households of the facilities where the public sewerage is not regulated.

Their use is sensible and practical especially for households with one or two population units or for holiday facilities where there is no permanent inflow.

The recommended volume of the septic tanks is 1500 L per person.

Waste water of the non-flowing septic tank must be emptied regularly. Discharge of municipal waste water takes place through an opening at the top.

With the correct installation a septic tank is also suitable for installations under traffic loads.

INSTALLATION

Tank installation is fast and simple and can be made in few hours. Excavate the pit, install the tank and fill with the water at the same time. Connect it to the inflow and the outflow pipes (various standard pipes possibility). Tank can be installed by Roto experts. Installation must be made according to general instructions accessed on the QR code.



Instructions for installation



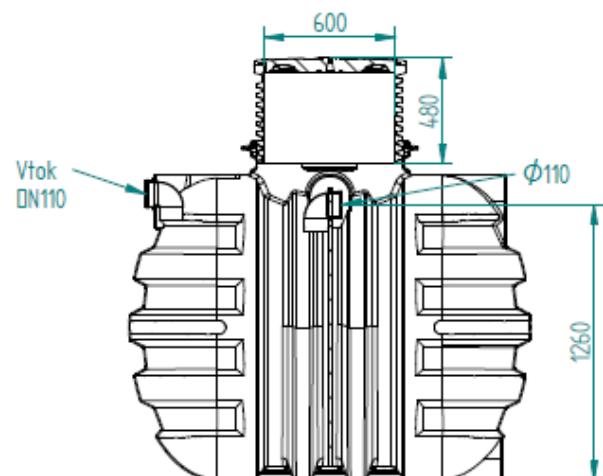
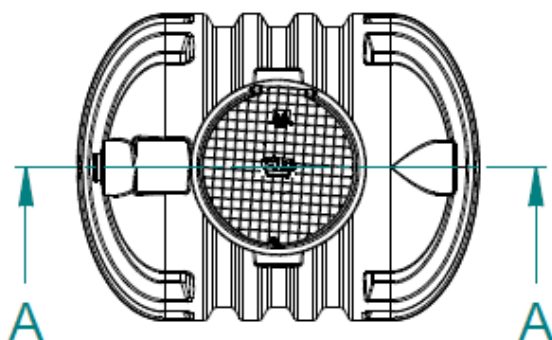
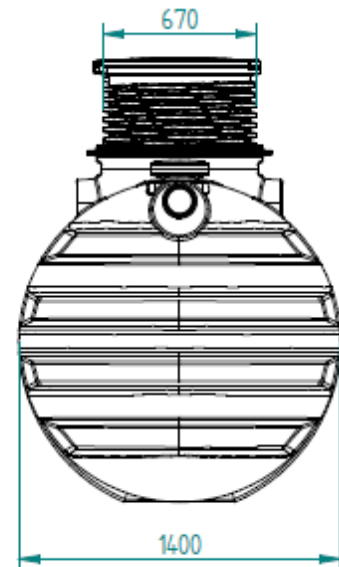
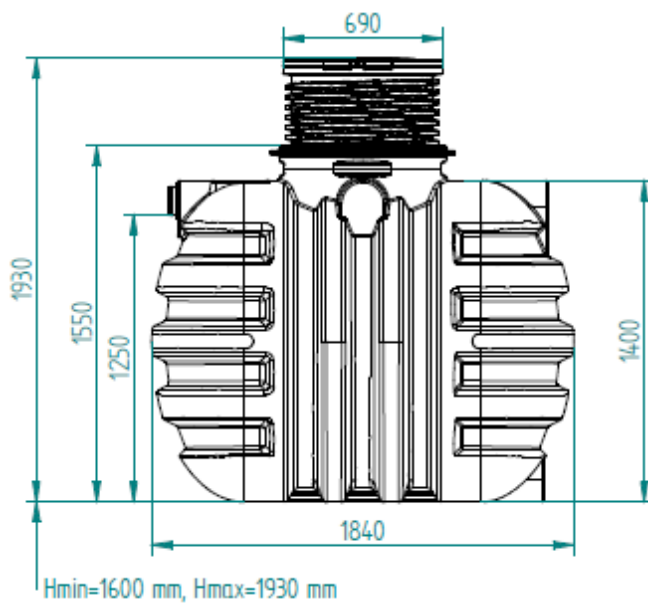
MECHANICAL RESISTANCE AND STABILITY

Mechanical resistance and stability checked (Report no.: P 0865 / 12 – 680 - 2) by the institute:
Slovenian national building and civil engineering institute, Dimičeva ulica 12, 1000 Ljubljana



WATERTIGHTNESS

Watertightness checked (Report no.: P 0865 / 12 – 680 – 1) by the institute:
Slovenian national building and civil engineering institute, Dimičeva ulica 12, 1000 Ljubljana



Section A-A

